

Pattern of
scattering and gathering
“Everything expands and contracts”

“silk thread”

“seagull”

“petals”

“conductor”

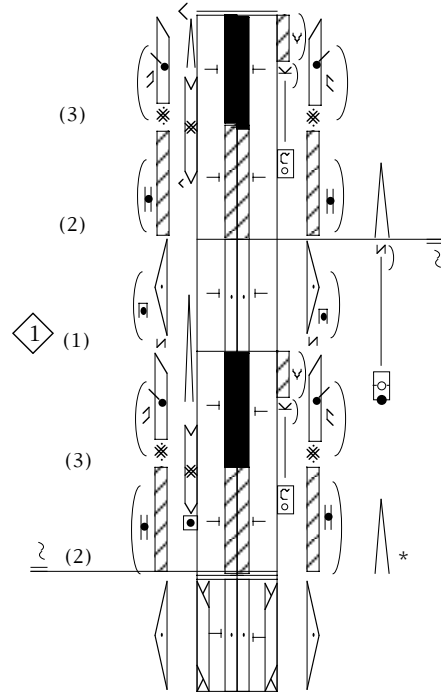
“bird on the branch”


“tennis”

“bacchanalia”

GATHERING AND SCATTERING

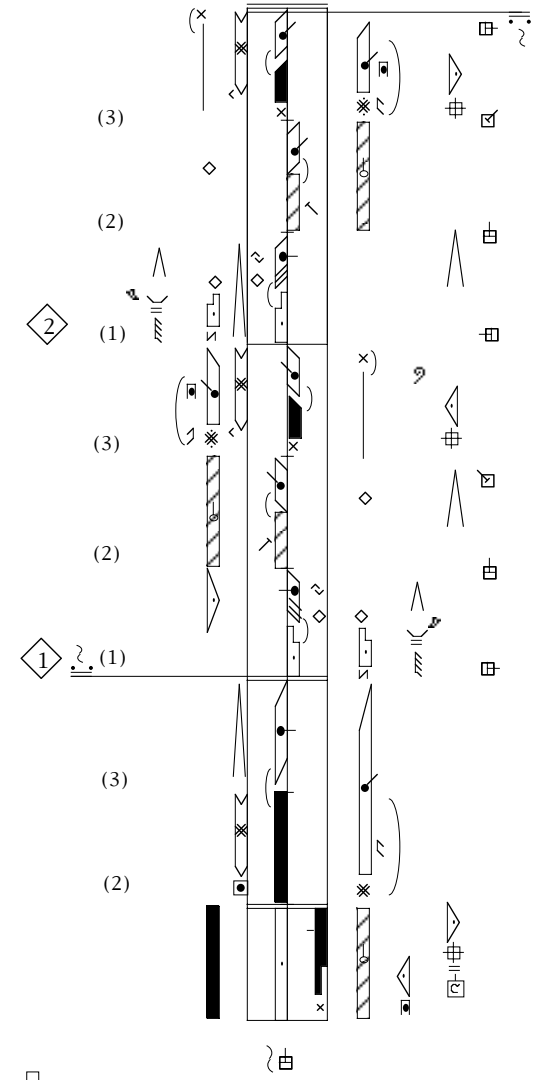
"the seagull"




3/4 ♩ =  m ≈ 72

* for the repeat

*"The seagull compresses the air to lift itself,
opens its wings to soar."*



3/4 ♩ =  m ≈ 69

"There are spaces."